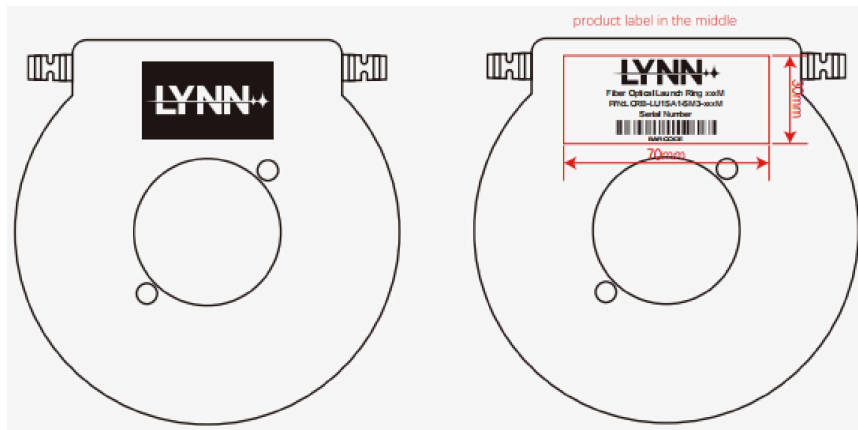
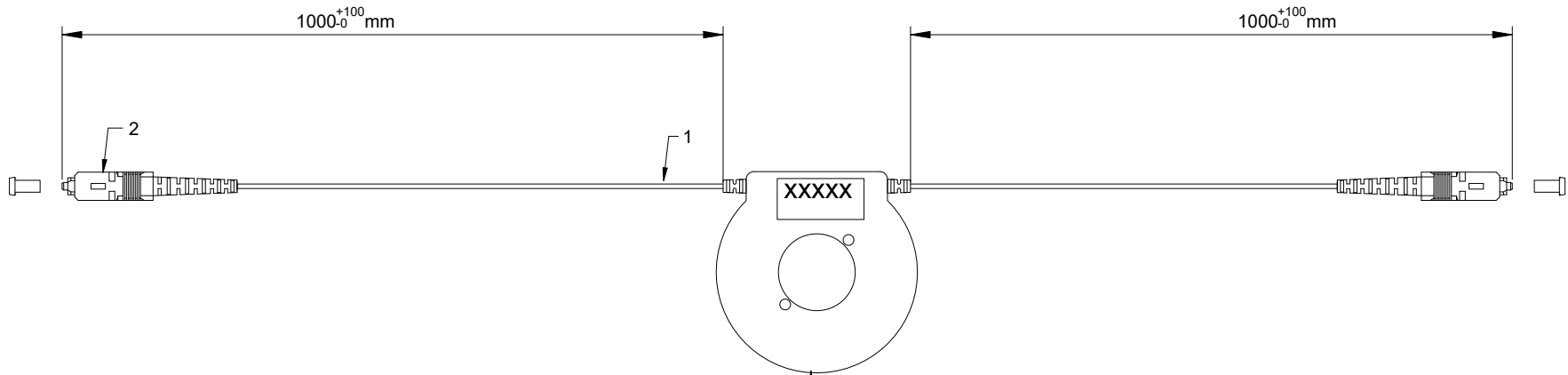




Technical specification	
Insertion loss(dB)	≤0.2
Return loss(dB)	≥50
Wavelength(nm)	1310&1550



		SIGNATURE	DATE				
DRAWN	T. Hodson	2026/04/09	MAT'L		CUSTOMER NO.	LCRB-SU1SU1-SM3-xxxM	
CHK'D	J. Farrell	2026/04/09	UNITS	mm	PRODUCT NAME	SC/UPC-SC/UPC SM	
PROCESS	C. Branden	2026/04/09	SCALE		DRAWING NO.	LCRB-SU1SU1-SM3-xxxM	
APPV'D	C. Hoskins	2026/04/09	TYPE OF PROJECTION		SHEET 1 OF 1	REV	A1

3		OTDR Round Box: Black: Yellow(Contains SM G657A1 250μm bare fiber)	A/R	m
2		SC/UPC SM Simplex 3.0mm Connector(Blue Housing & Blue Boot)	2	EA
1		Ø3.0mm Simplex Armored PVC Yellow Tube	A/R	m
ITEM	P/N	SPECIFICATION	QTY	U/M